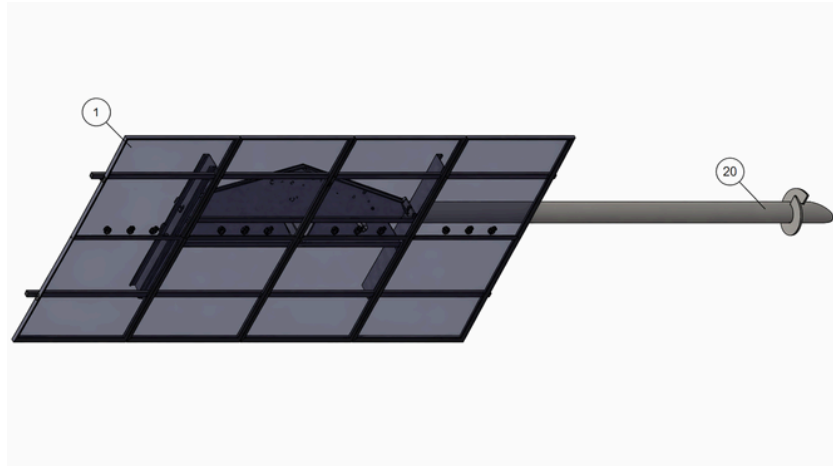
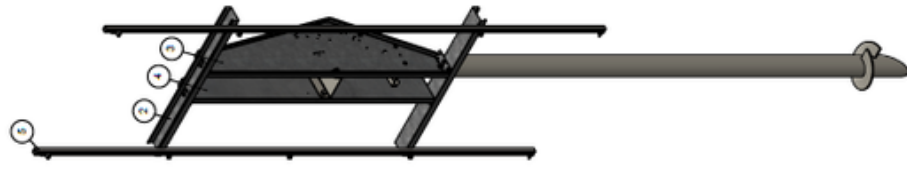


MP-4L • 1 Columns • 4 Solar Panels • Landscape Layout



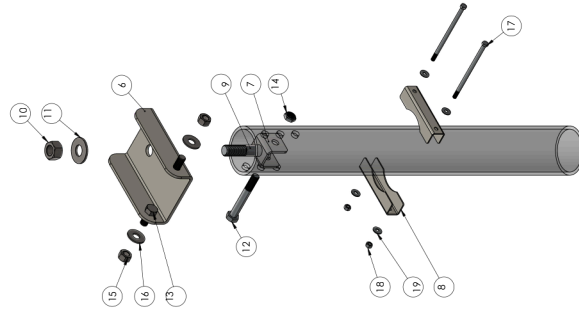
Isometric View - With Solar Panels
Scale 1:20



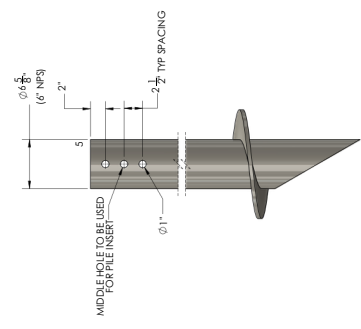
Isometric View - Frame Only
Scale 1:20

ITEM NO.	PART NUMBER	DESCRIPTION	QTY.
1	SOLAR PANEL	SOLAR PANEL 1133mm X 2256/2278mm	4
2	BEAM 120A-MONOROLE-8P	12 GA MAIN BEAM	2
3	PIVOT SUNRANGER-UNIVERSAL EAST	12GA PIVOT PLATE - EAST	1
4	PIVOT SUNRANGER-UNIVERSAL WEST	12GA PIVOT PLATE - WEST	1
5	PURLIN	PANEL CHANNEL	2
6	PILE PIVOT ADAPTER	CUSTOM FORMED CHANNEL	1
7	PILE INSERT	PILE INSERT FOR 1 1/2" BOLT AND 1" BOLT	1
8	6 NPS PILE SADDLE	PILE SADDLE - 6 NPS PILE TO PIVOT PLATE	2
9	91283M462 (1 1/2" X 6" UNC GR5 BOLT)	MEDIUM-STRENGTH GRADE 5 STEEL HEX HEAD NUT	1
10	1 1/2" UNC GR5 NUT	MEDIUM-STRENGTH GRADE 5 STEEL HEX HEAD NUT	1
11	1 1/2" GR5 FLAT WASHER	MEDIUM-STRENGTH GRADE 5 STEEL FLAT WASHER	1
12	91247A931 (1" X 7 1/2" UNC GR5 BOLT)	MEDIUM-STRENGTH GRADE 5 STEEL HEX HEAD BOLT	1
13	1" X 1/4" UNC GR5 BOLT	MEDIUM-STRENGTH GRADE 5 STEEL HEX HEAD BOLT	2
14	91342A262 (1" UNC GR5 NYLOCK NUT)	MEDIUM-STRENGTH STEEL THIN NYLON NYLOCK NUT	1
15	1" UNC GR5 NUT	MEDIUM-STRENGTH GRADE 5 STEEL HEX HEAD NUT	2
16	1" GR5 FLAT WASHER	MEDIUM-STRENGTH GRADE 5 STEEL FLAT WASHER	2
17	1/2" X 10" UNC GR5 BOLT	MEDIUM-STRENGTH GRADE 5 STEEL HEX HEAD BOLT	2
18	1/2" UNC GR5 NUT	MEDIUM-STRENGTH GRADE 5 STEEL HEX HEAD NUT	2
19	1/2" GR5 FLAT WASHER	MEDIUM-STRENGTH GRADE 5 STEEL FLAT WASHER	4
20	6 NPS PILE	6 NPS HELICAL SCREW PILE	1

NOTE: MONO RACKING HARDWARE AND SMALL PARTS NOT INCLUDED IN THE ABOVE BILL OF MATERIALS



Exploded View - Pole Connection Detail
Scale 1:8



Elevation View - Pole Detail
Scale 1:8

MFG TOLERANCES FINISHES DIMENSIONS DECIMAL 1 : .125 ANGULAR ± .1°	© AZGARD SOLAR INC. ALL RIGHTS RESERVED. THIS DOCUMENT IS THE PROPERTY OF AZGARD SOLAR INC. THE INFORMATION AND INFORMATION HEREIN MAY BE USED FOR ANY OTHER PURPOSE WITHOUT THE WRITTEN PERMISSION OF AZGARD SOLAR INC. UNAUTHORIZED REPRODUCTION, IN WHOLE OR IN PART IS PROHIBITED.	DRAWN BY: RMM CHECKED BY: RMM CREATED DATE: Oct 12, 2024	ASGARD SOLAR INC. 1133mm X 2256/2278mm CALGARY, ALBERTA T2C 0T7 REGAL-BENEFIT@ASGARD.COM
		ISSUE DATE: APPROVED BY: RMM	
DRAWING NO: MP-4L-1			REV: 1